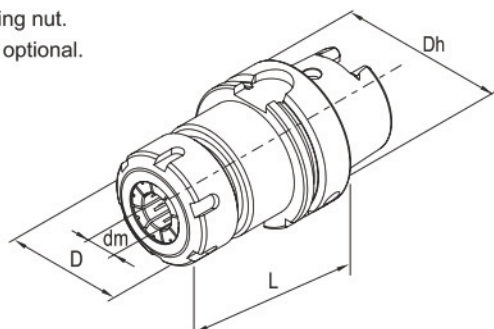
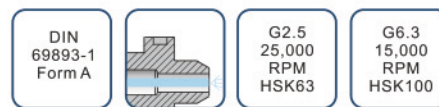


## ER COLLET CHUCK

- Radial run-out less than 0.01mm.
- Constructed of alloy steel for long, durable service life.
- For clamping tools with plain shank in collets to DIN6499.
- Supplied with high performance clamping nut.
- Coolant pipe and coolant pipe Wrench optional.



Order No.	Model	Shank	for Collets	Size(mm)				Nuts	Screw	Wrench
				Dh	dm	D	L			
111-04-401	HSK63A-ER11-75	HSK-A63	ER11	63	0.5-7	19	75	CN11HS	SER11C	W17D
111-04-402	HSK63A-ER16-80	HSK-A63	ER16	63	0.5-10	28	80	CN16HS	SER16C	W25D
111-04-403	HSK63A-ER16-100	HSK-A63	ER16	63	0.5-10	28	100	CN16HS	SER16C	W25D
111-04-404	HSK63A-ER16-120	HSK-A63	ER16	63	0.5-10	28	120	CN16HS	SER16C	W25D
111-04-405	HSK63A-ER20-80	HSK-A63	ER20	63	1.0-13	34	80	CN20HS	SER20C	W30D
111-04-406	HSK63A-ER20-100	HSK-A63	ER20	63	1.0-13	34	100	CN20HS	SER20C	W30D
111-04-407	HSK63A-ER20-120	HSK-A63	ER20	63	1.0-13	34	120	CN20HS	SER20C	W30D
111-04-408	HSK63A-ER25-80	HSK-A63	ER25	63	1.0-16	42	80	CN25B	S008014C	YER25B
111-04-409	HSK63A-ER25-100	HSK-A63	ER25	63	1.0-16	42	100	CN25B	SER25C	YER25B
111-04-410	HSK63A-ER25-120	HSK-A63	ER25	63	1.0-16	42	120	CN25B	SER25C	YER25B
111-04-411	HSK63A-ER32-80	HSK-A63	ER32	63	2.0-20	50	80	CN32B	S008014C	YER32B
111-04-412	HSK63A-ER32-100	HSK-A63	ER32	63	2.0-20	50	100	CN32B	SER32C	YER32B
111-04-413	HSK63A-ER32-120	HSK-A63	ER32	63	2.0-20	50	120	CN32B	SER32C	YER32B
111-04-414	HSK63A-ER40-80	HSK-A63	ER40	63	3.0-26	63	80	CN40B	-	YER40B
111-04-415	HSK63A-ER40-100	HSK-A63	ER40	63	3.0-26	63	100	CN40B	SER40C	YER40B
111-04-416	HSK63A-ER40-120	HSK-A63	ER40	63	3.0-26	63	120	CN40B	SER40C	YER40B
111-04-601	HSK100A-ER16-100	HSK-A100	ER16	100	0.5-10	28	100	CN16HS	SER16C	W25D
111-04-602	HSK100A-ER16-160	HSK-A100	ER16	100	0.5-10	28	160	CN16HS	SER16C	W25D
111-04-603	HSK100A-ER20-100	HSK-A100	ER20	100	1.0-13	34	100	CN20HS	SER20C	W30D
111-04-604	HSK100A-ER20-160	HSK-A100	ER20	100	1.0-13	34	160	CN20HS	SER20C	W30D
111-04-605	HSK100A-ER25-100	HSK-A100	ER25	100	1.0-16	42	100	CN25B	SER25C	YER25B
111-04-606	HSK100A-ER25-160	HSK-A100	ER25	100	1.0-16	42	160	CN25B	SER25C	YER25B
111-04-607	HSK100A-ER32-100	HSK-A100	ER32	100	2.0-20	50	100	CN32B	SER32C	YER32B
111-04-608	HSK100A-ER32-160	HSK-A100	ER40	100	3.0-26	63	160	CN32B	SER40C	YER40B
111-04-609	HSK100A-ER40-100	HSK-A100	ER40	100	3.0-26	63	100	CN40B	SER40C	YER40B
111-04-610	HSK100A-ER40-120	HSK-A100	ER40	100	3.0-26	63	120	CN40B	SER40C	YER40B
111-04-611	HSK100A-ER40-160	HSK-A100	ER40	100	3.0-26	63	160	CN40B	SER40C	YER40B



Optional accessories:

	Coolant tubes	Dh=63	Dh=100
Model		TU-HSK63	TU-HSK100
Order No.		100-00-001	100-00-002

	Coolant tube Wrench	Dh=63	Dh=100
Model		W-HSK63	W-HSK100
Order No.		100-00-003	100-00-004

## ER COLLET CHUCK & COLLETS KIT SET

- Each set including 1pc of HSK63A ER collet chuck and 9pc of ER collets,
- Equipped with ER collet nut wrench and pack in strong aluminium box.
- Long working life time due to system radial run-out less than 0.01mm.

Order No.	Shank Model	Collet	Wrench
111-04-S41	HSK63A-ER16-100	ER16: dia.2-3-4-5-6-7-8-9-10mm	W25D
111-04-S42	HSK63A-ER25-100	ER25: dia.3-4-5-6-8-10-12-14-16mm	YER25B
111-04-S43	HSK63A-ER32-100	ER32: dia.4-6-8-10-12-14-16-18-20mm	YER32B

