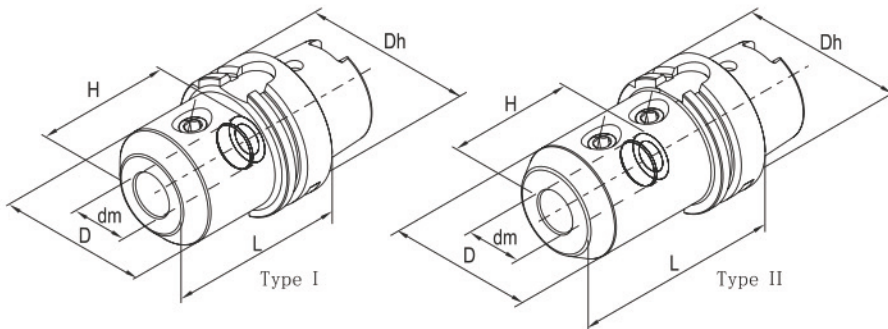


SIDE LOCK HOLDER

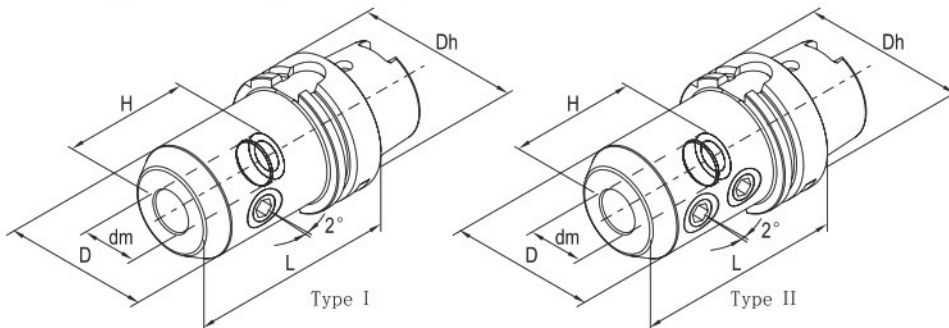
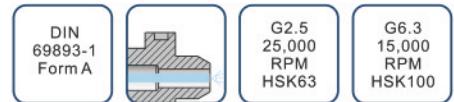
- For clamping tools with weldon shank to DIN1835 form B and DIN6535 form HB.
- Coolant pipe and coolant pipe Wrench optional.



| Order No. | Model | Shank | Size(mm) | | | | | Screw type | Type |
|------------|------------------|----------|----------|----|----|-----|----|------------|------|
| | | | Dh | dm | D | L | H | | |
| 111-05-401 | HSK63A-XP16-80 | HSK-A63 | 63 | 16 | 48 | 80 | 52 | SXP16 | I |
| 111-05-402 | HSK63A-XP20-80 | HSK-A63 | 63 | 20 | 50 | 80 | 54 | SXP20 | I |
| 111-05-403 | HSK63A-XP25-110 | HSK-A63 | 63 | 25 | 60 | 110 | 66 | SXP25 | II |
| 111-05-404 | HSK63A-XP32-110 | HSK-A63 | 63 | 32 | 68 | 110 | 70 | SXP32 | II |
| 111-05-601 | HSK100A-XP16-100 | HSK-A100 | 100 | 16 | 48 | 100 | 52 | SXP16 | I |
| 111-05-602 | HSK100A-XP20-100 | HSK-A100 | 100 | 20 | 50 | 100 | 54 | SXP20 | I |
| 111-05-603 | HSK100A-XP25-100 | HSK-A100 | 100 | 25 | 60 | 100 | 66 | SXP25 | II |
| 111-05-604 | HSK100A-XP32-100 | HSK-A100 | 100 | 32 | 68 | 100 | 66 | SXP32 | II |
| 111-05-605 | HSK100A-XP40-120 | HSK-A100 | 100 | 40 | 84 | 120 | 80 | SXP32 | II |
| 111-05-606 | HSK100A-XP40-160 | HSK-A100 | 100 | 40 | 84 | 160 | 80 | SXP32 | II |

2° SIDE LOCK HOLDER

- For clamping tools with parallel shank and inclined clamping flat(2°) DIN1835 form E and DIN6535 form HE.
- Coolant pipe and coolant pipe Wrench optional.



| Order No. | Model | Shank | Size(mm) | | | | | Screw type | Screw type | Type |
|------------|------------------|----------|----------|----|----|-----|----|------------|------------|------|
| | | | Dh | dm | D | L | H | | | |
| 111-05-405 | HSK63A-XP16-100 | HSK-A63 | 63 | 16 | 48 | 100 | 52 | SXP16 | S012014C | I |
| 111-05-406 | HSK63A-XP20-100 | HSK-A63 | 63 | 20 | 52 | 100 | 54 | SXP20 | S020016C | I |
| 111-05-407 | HSK63A-XP25-110 | HSK-A63 | 63 | 25 | 65 | 110 | 59 | SXP25 | S020016C | II |
| 111-05-408 | HSK63A-XP32-110 | HSK-A63 | 63 | 32 | 72 | 110 | 63 | SXP32 | S020016C | II |
| 111-05-607 | HSK100A-XP16-100 | HSK-A100 | 100 | 16 | 48 | 100 | 52 | SXP16 | S012014C | I |
| 111-05-608 | HSK100A-XP20-110 | HSK-A100 | 100 | 20 | 52 | 110 | 54 | SXP20 | S020016C | I |
| 111-05-609 | HSK100A-XP25-120 | HSK-A100 | 100 | 25 | 65 | 120 | 59 | SXP25 | S020016C | II |
| 111-05-610 | HSK100A-XP32-120 | HSK-A100 | 100 | 32 | 72 | 120 | 63 | SXP32 | S020016C | II |

Optional accessories:

| | Coolant tubes | Dh=63 | Dh=100 |
|-----------|---------------|------------|------------|
| Model | | TU-HSK63 | TU-HSK100 |
| Order No. | | 100-00-001 | 100-00-002 |

| | Coolant tube Wrench | Dh=63 | Dh=100 |
|-----------|---------------------|------------|------------|
| Model | | W-HSK63 | W-HSK100 |
| Order No. | | 100-00-003 | 100-00-004 |